

# ABOUT CAREPORT

The cubicle solution for virtually any type of shower stool or chair and the shower rose height can be adjusted to suit, or simply hand held.

The CarePort can be installed and removed quickly in any room of a home with minimal disruption. The freestanding unit is safe, easy to clean and conforms to the relevant Australian plumbing and electrical standards and can be supplied with an optional self contained thermostat controlled hot water service.

## Our Clients

We are proud solution providers for My Aged Care, NDIS, MAIB and private clients.

## Exclusive Tasmania Distributor

Mele Bathrooms and Plumbing is the exclusive Tasmanian distributor for CarePort solutions. Fully qualified and insured, you and your clients are in the best hands.

Mele Bathrooms and Plumbing also specialise in bathroom renovation. Whether it be a full or partial renovation or bathroom modifications, we take care of projects from start to finish.

# CONTACT US

Contact our helpful team to arrange a site visit, quotation and installation where required. If you are interested in installing a unit, please supply photos of where the unit is to be placed.

Email: [meleplumbing@live.com.au](mailto:meleplumbing@live.com.au)

Phone: 0424 795 350

[www.melebathrooms.com.au](http://www.melebathrooms.com.au)



# CAREPORT

YOUR PORTABLE  
BATHROOM SOLUTION



**MELE**  
BATHROOMS & PLUMBING

# WHY CAREPORT

CarePorts are a freestanding portable shower or shower and toilet solution.

## When to access a CarePort

- When no other suitable or accessible bathroom facilities are available in the home.
- Do you have a client reluctant to vacate their home during bathroom renovation works?
- Is the prospect of respite accommodation not an option – due either to availability or choice?
- When staying in hospital is unnecessary.

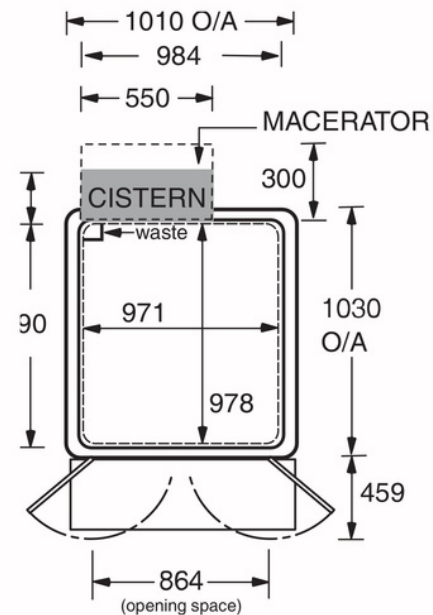
## Why CarePort is the best solution

- Portable CarePort units can be provided as either a stand alone shower or shower and toilet combination, providing an immediate solution for accessible showering and toileting;
- Units can be located almost anywhere in the home;
- Fast installation;
- No need to empty any waste;
- Completely safe and plumbing and electrically compliant;
- Conventional flushable toilet;
- Available as a temporary or longer-term option.

# SPECS AND REQUIREMENTS

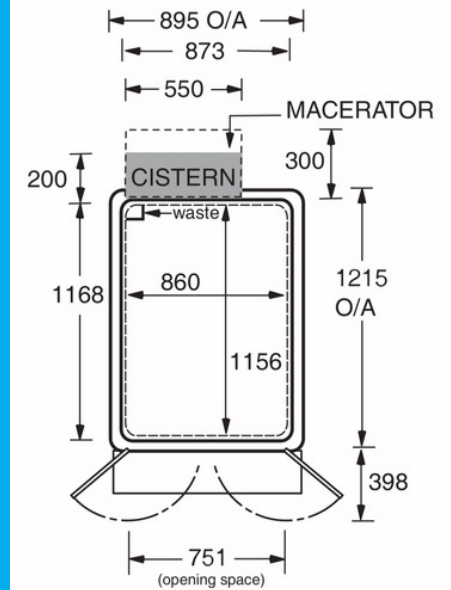
- Allow 300mm at rear for plumbing services.
- Allow as much space as possible for ease of user access.
- 10 amp 240 volt power point.
- Access to garden tap.
- Access to sewer gully trap.
- Located close to an openable window or door.

## Standard Model



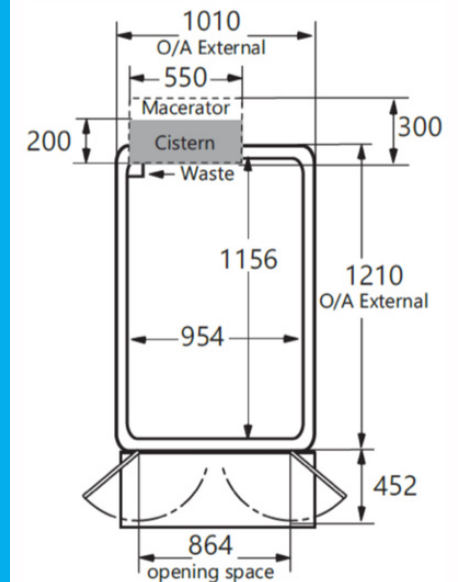
Ramp size: 1000mm width x 430mm depth.

## Longer Model



Ramp size: 895mm width x 430mm depth.

## 120Plus Model



Ramp size: 1010mm width x 470mm depth.